

## Vacuum-Tight Heat Treatment Sensor



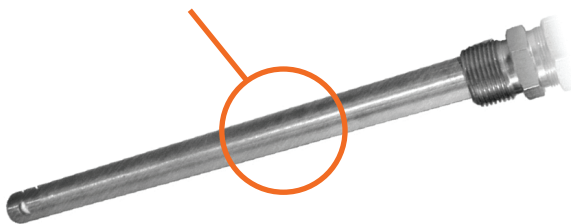
### APPLICATIONS

- Annealing and Bright Annealing atmospheres
- Capable of measurement and control of heat treating atmospheres, such as hydrogen, that require vacuum tight construction

### CONSTRUCTION

- UPC TuffAlloy™ sheath material
- Thermal shock resistant, solid zirconia electrolyte
- Special electrode design accommodates annealing temperatures
- Vacuum-tight sealed head
- Equipped with stainless steel connection fittings

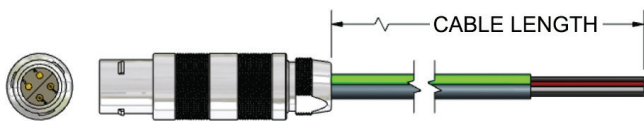
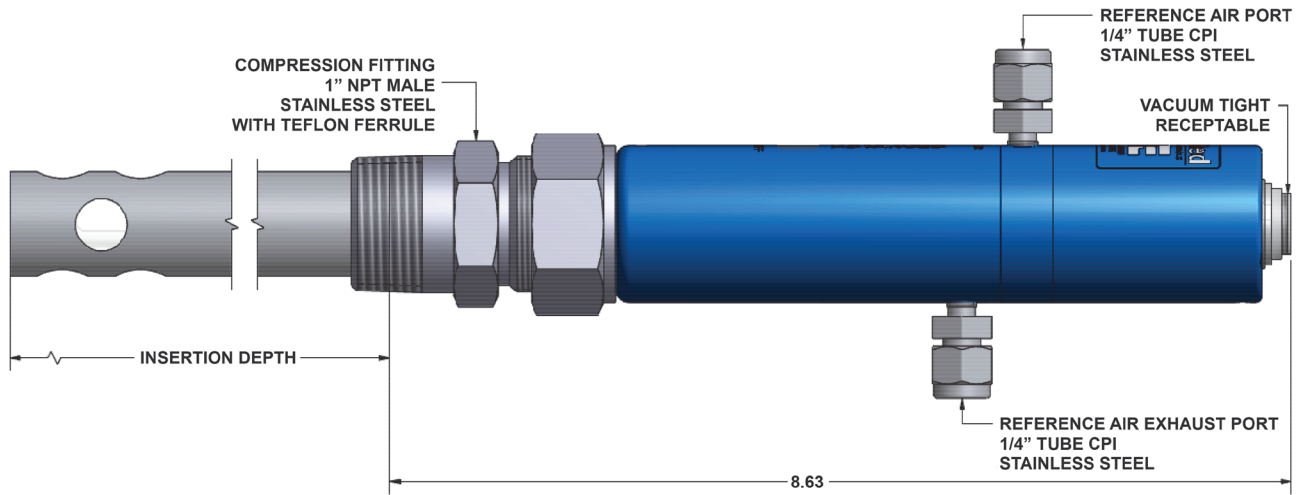
TuffAlloy™ sheath resists corrosion and lasts up to 3x longer than RA330



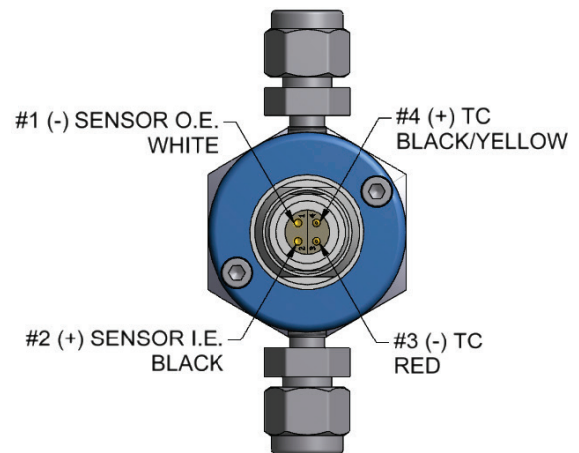
TSR electrolyte for thermal shock resistance allowing quick (<5 minute) installation and aggressive burn-off flow

Probe Part #	AA	8	__	-	__	-	5
<b>Sheath Material</b>							
TuffAlloy™	AA						
Inner Electrode							
High Temperature - Sealed		8					
<b>Insertion Length</b>							
17" / 431.8 mm						17	
20" / 508 mm						20	
26" / 660.4 mm						26	
32" / 812.8 mm						32	
38" / 965.2 mm						38	
<b>T/C Type</b>							
NO Thermocouple							X
Thermocouple Type B							B
Thermocouple Type K							K
Thermocouple Type R							R
Thermocouple Type S							S
<b>Modification</b>							
3/4" Sch 40 Pipe							5

## Vacuum-Tight Heat Treatment Sensor



- Cable Assembly Sold Separately



Cable Assembly Part #:		CA6	-	-
<b>Length</b>				
1' / 30.5 cm		01		
10' / 304.8 cm		10		
20' / 609.6 cm		20		
50' / 1524 cm		50		
<b>T/C Type</b>				
Thermocouple Type K				K
Thermocouple Type R & S				RS
No Thermocouple				X

### REBUILD POLICY

UPC offers the industry's most comprehensive rebuild program

- 24-hour turnaround service on most popular models
- 6 month comprehensive warranty
- Competitive fixed price for easy maintenance budget



CHINA +86 10 8217 6437 | FRANCE +33 3 8148 3737 | GERMANY +49 7161 94888 0 | POLAND +48 32 296 66 00 | USA +1 513 772 1000